

Thank you for purchasing a Sealey product. Manufactured to a high standard, this product will, if used according to these instructions, and properly maintained, give you years of trouble free performance.

IMPORTANT: PLEASE READ THESE INSTRUCTIONS CAREFULLY. NOTE THE SAFE OPERATIONAL REQUIREMENTS, WARNINGS & CAUTIONS. USE THE PRODUCT CORRECTLY AND WITH CARE FOR THE PURPOSE FOR WHICH IT IS INTENDED. FAILURE TO DO SO MAY CAUSE DAMAGE AND/OR PERSONAL INJURY AND WILL INVALIDATE THE WARRANTY. KEEP THESE INSTRUCTIONS SAFE FOR FUTURE USE.



Refer to instruction manual

1. SAFETY

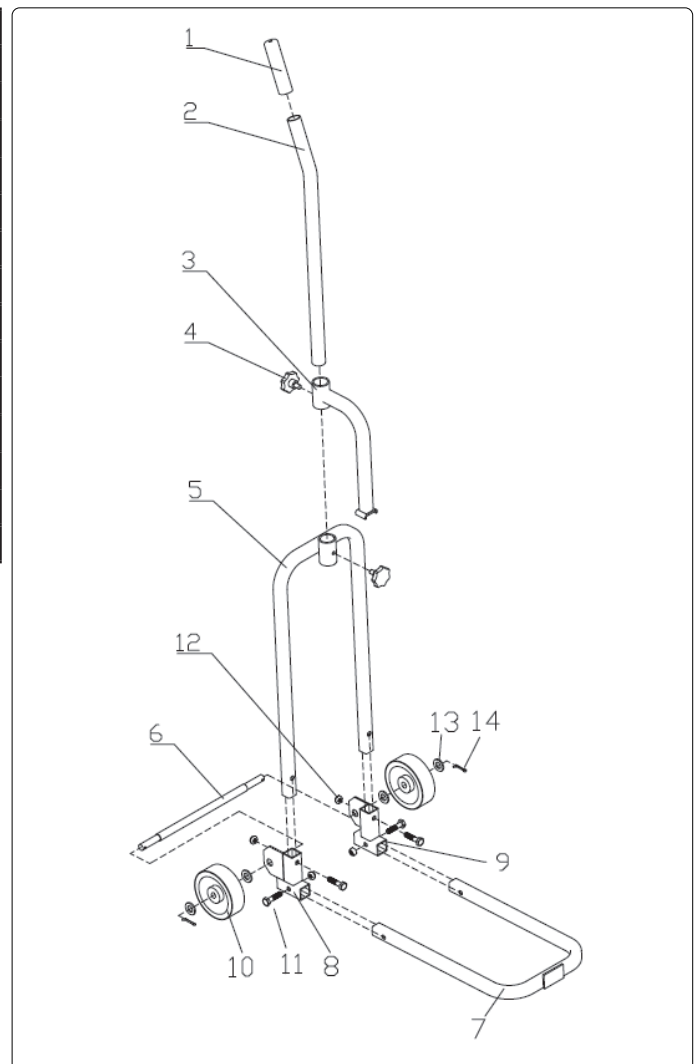
- ✓ Maximum capacity 45kg.
- ✓ Only use on firm, level unobstructed surfaces which are capable of supporting the trolley and its load.
- ✓ Make sure drum is secured properly before attempting to use trolley.
- ☐ **WARNING!** Failure to comply with these instructions may result in loss of load, damage to trolley or other property and/or personal injury.

2. INTRODUCTION

Compact container trolley ideal for moving 25L containers and small barrels safely. Strong and lightweight for ease of moving containers and barrels around. Extendable handle makes transporting liquids safe and easy. Adjustable clamp is ideal for clamping any size 25L container or smaller on the trolley for safe movement. Two-wheel design makes tilting and either pushing or pulling heavy loads simple.

3. ASSEMBLY

| No. | Description | QTY. |
|-----|------------------------|------|
| 1 | Handle Sleeve | 1 |
| 2 | Handle | 1 |
| 3 | Locking Bar | 1 |
| 4 | Grip | 2 |
| 5 | Upright Tube | 1 |
| 6 | Axle | 1 |
| 7 | Bottom Frame | 1 |
| 8 | Left Bracket Assembly | 1 |
| 9 | Right Bracket Assembly | 1 |
| 10 | Wheel | 2 |
| 11 | Bolt M8x35 | 4 |
| 12 | Nut M8 | 4 |
| 13 | Washer 12 | 4 |
| 14 | Pin 3.2x20 | 2 |





ENVIRONMENT PROTECTION

Recycle unwanted materials instead of disposing of them as waste. All tools, accessories and packaging should be sorted, taken to a recycling centre and disposed of in a manner which is compatible with the environment. When the product becomes completely unserviceable and requires disposal, drain any fluids (if applicable) into approved containers and dispose of the product and fluids according to local regulations.



REGISTER YOUR
PURCHASE HERE

Note: It is our policy to continually improve products and as such we reserve the right to alter data, specifications and component parts without prior notice. Please note that other versions of this product are available. If you require documentation for alternative versions, please email or call our technical team on technical@sealey.co.uk or 01284 757505.

Important: No Liability is accepted for incorrect use of this product.

Warranty: Guarantee is 12 months from purchase date, proof of which is required for any claim.

Sealey Group, Kempson Way, Suffolk Business Park, Bury St Edmunds, Suffolk. IP32 7AR



01284 757500



sales@sealey.co.uk



www.sealey.co.uk